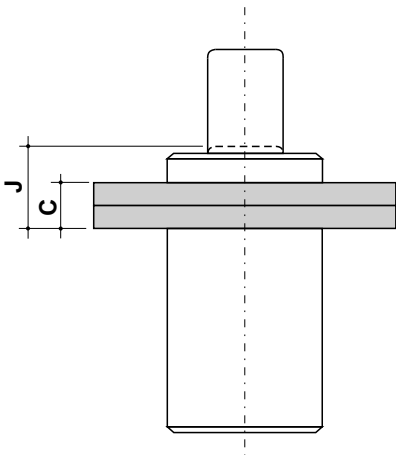
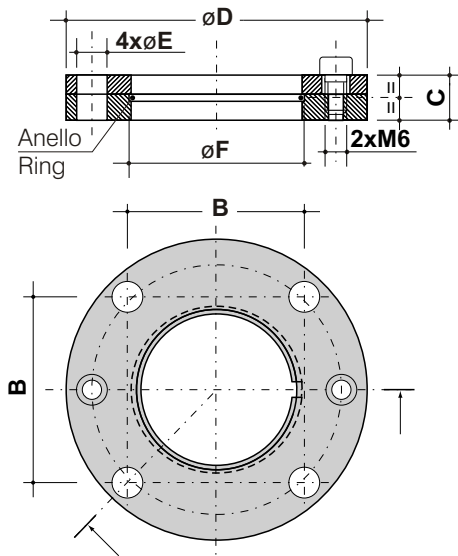


Flange a collare / Collar flanges

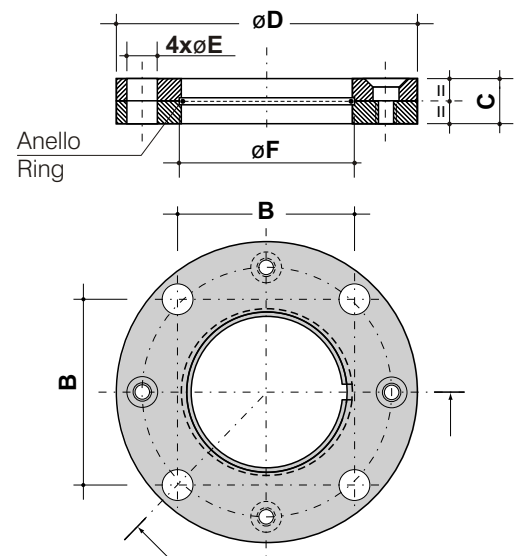


CILINDRO Cylinder	MODELLO Model	B mm	C mm	D mm	E mm	F mm	Anello Ring ømm	J mm
CISO32	FRCISO32	35	9	60	6.6	34	2	17
38	38	40	9	68	6.6	40	2	17
45	45	50	13	86	9	47	2	23
50	50	56.5	13	95	9	54	4	24
75	75	73.5	16	122	11	80	5	29
95	95	92	18	150	13.5	100	5	33
120	120	109.5	21	175	13.5	125	5	36
150	150	138	27	220	17.5	155	5	41

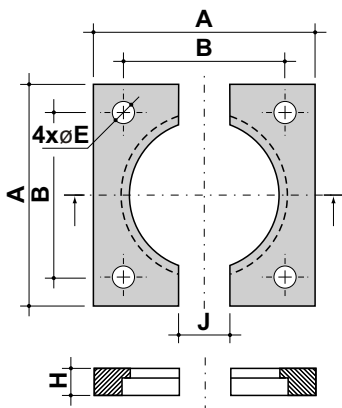
Asimmetrica Asymmetrical



Simmetrica Symmetrical



Semiflange di fissaggio / Fixing half flanges



CILINDRO Cylinder	MODELLO Model	A mm	B mm	E mm	H mm	J mm
CISO32	FSCISO32	50	35	6.6	7	5
38	38	55	40	6.6	7	5
45	45	70	50	9	7	20
50	50	75	56.5	9	12	24
75	75	100	73.5	11	12	24
95	95	120	92	13.5	12	24
120	120	140	109.5	13.5	12	24
150	150	190	138	17.5	12	24