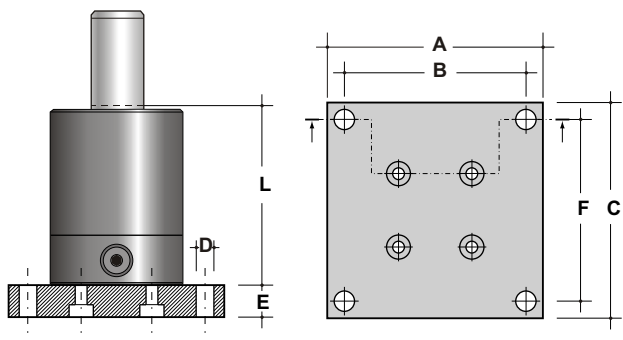


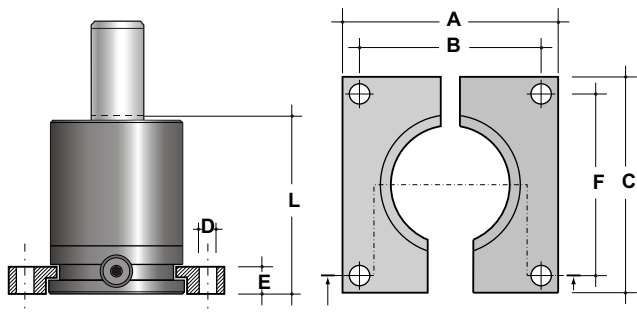
## Basi di fissaggio / Fastening bases



MODELLO Model	A mm	B mm	C mm	D mm	E mm	F mm	Per Cilindro For Cylinder
<b>FBC50</b>	70	50	70	9	16	50	<b>CS</b>
<b>63</b>	90	68	90	11	20	68	<b>C</b>
<b>75</b>	90	68	90	11	20	68	<b>CSM</b>
<b>95</b>	110	90	110	11	20	90	<b>TOP</b>
<b>120</b>	125	100	125	11	20	100	<b>SML</b>

•Solo 2 fori •Only two holes

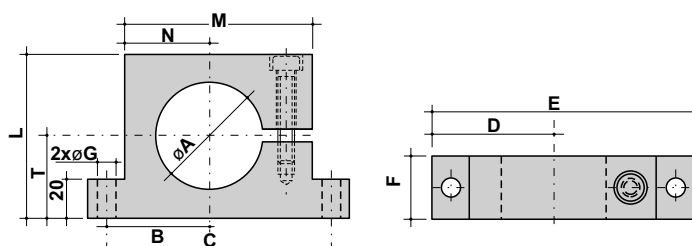
## Semiflange di fissaggio / Fixing half-flanges



MODELLO Model	A mm	B mm	C mm	D mm	E mm	F mm	Per Cilindro For Cylinder
<b>FSC50</b>	75	56.5	75	13	12	56.5	<b>CS</b>
<b>63</b>	100	73.5	100	13	12	73.5	<b>C</b>
<b>75</b>	100	73.5	100	13	12	73.5	<b>CSM</b>
<b>95</b>	120	92	120	18	12	92	<b>TOP</b>
<b>120</b>	140	109.5	140	18	12	109.5	<b>SML</b>

## Supporti anteriori / Front supports

CILINDRO Cylinder	MODELLO Model	A mm	B mm	C mm	D mm	E mm	F mm	G mm	L mm	M mm	N mm	T mm
<b>CISO32</b>	<b>FACISO32</b>	32	31	72	40	90	25	8.5	45	54	22	22.5
<b>38</b>	<b>38</b>	38	34	77	42	95	25	8.5	55	59	25	27.5
<b>45</b>	<b>45</b>	45	37	82	46	100	25	8.5	60	64	28	30
<b>50</b>	<b>50</b>	50	50	110	60	130	30	9	80	90	40	40
<b>75</b>	<b>75</b>	75	63.5	137	75	160	30	11	105	115	52.5	52.5
<b>95</b>	<b>95</b>	95	80	170	92.5	195	30	13.5	125	145	67.5	62.5
<b>120</b>	<b>120</b>	120	92.5	195	105	220	30	13.5	148	165	77.5	74
<b>150</b>	<b>150</b>	150	110	230	125	260	30	13.5	200	200	95	100



**BORDIGNON SpA** si riserva la facoltà di apportare, senza preavviso, eventuali modifiche tecniche ai prodotti di questo catalogo.  
**BORDIGNON SpA** reserves the right to make modifications to the technical data of this catalogue, without prior notice.